

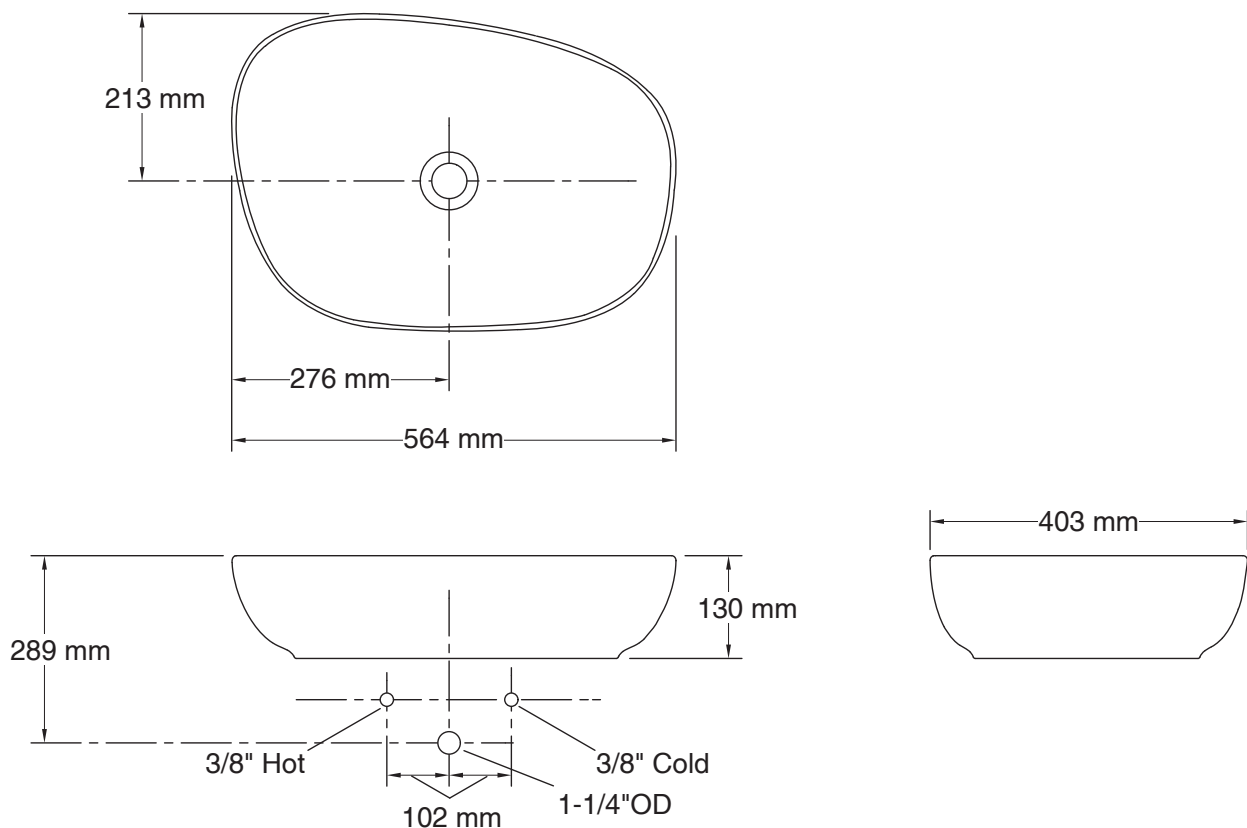
## Kankara Vessel Basin

76601IN

<b>Product Description:</b>	Kankara Vessel Basin, No Tap Hole	
<b>Required Items:</b>	7129B-CP	Grid waste for basins without overflow
<b>Colour/Finish:</b>	White	
<b>Product Dimensions:</b>	W564 x D403 mm	
<b>Material:</b>	Vitreous China	
<b>Product Weight (kg):</b>	13.9	
<b>Fixings Included:</b>	No	
<b>Guarantee (Years):</b>	25	

**Additional Information:**

Rinse thoroughly and use a soft cloth to wipe the product dry after use. Soft abrasive cleaners may be used when necessary to clean vitreous china products. Strong abrasive cleaners will scratch and dull the surface. Wipe any splashes of cleaning solutions from plastic or plated surfaces immediately.

**Dimensions (mm):****Kohler UK**

Sales and Technical: +44 (0) 800 001 4466

info@kohler.co.uk

www.KOHLER.co.uk

THE BOLD LOOK  
OF **KOHLER**®